

# SP300 SERIES

## High Speed Reliable Dot Matrix Printers

### FEATURES

- ✦ Speed up transactions with ultra high speed SP317/347 (5.5 LPS)
- ✦ High performance receipt printers
- ✦ Paper rewind option for journals and audits
- ✦ Industry famous reliability
- ✦ Adjustable paper path
- ✦ Graphics, logo capabilities
- ✦ Internal international character sets available



### MODELS AVAILABLE

- SP317 - Ultra High Speed Tear Bar Version
- SP347 - Ultra High Speed Autocutter Version
- SP312 - High Speed Tear Bar Version
- SP342 - High Speed Autocutter Version
- SP349 - Vertical Document Model
- UP389 - Kiosk Model With Presenter
- SP321/322/323 - Sprocket Version

### APPLICATIONS

#### Receipt Printer

POS Systems / Credit Card Authorization,  
1 + 2 copies

#### Ticket Printer

Entrance Tickets and Coupons

#### Kiosk Printer

With Presenter for Jam-Free Operation

#### Fan Fold Forms

Sprocket Version

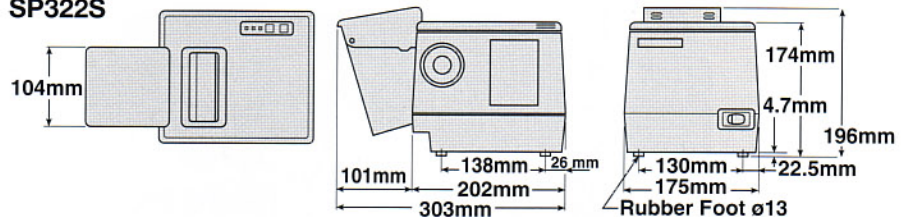
#### Remote Printer

For Kitchen Applications

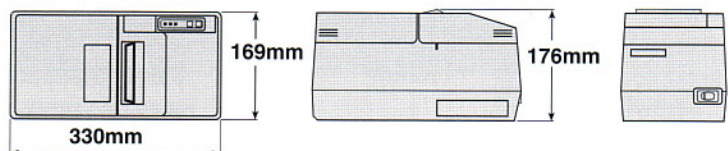


### DIMENSIONS

#### SP322S



#### SP342 / 347



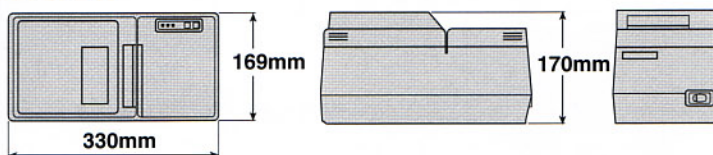
# SOLUTIONS



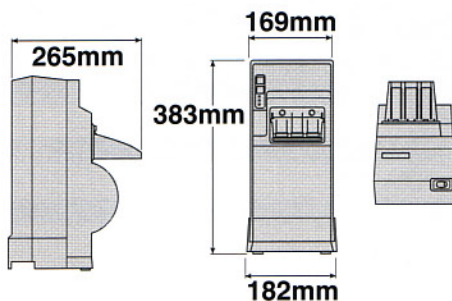
	SP317F / SP347F	SP312F / SP342F	SP349F / UP389F	SP321S / SP322S	SP323S
<b>Print Speed</b>	5.5 LPS (23mm/sec)	3.2 LPS (13.5mm/sec)		4.2 LPS (17.6mm/sec) 3.2 LPS (13.5mm/sec)	3.6 LPS (15.1mm/sec)
<b>Print Width</b>	2.6" (67.7mm max)	2.5" (65.7mm max)		2.2" (58mm/65.7mm)	2.2" (58mm)
<b>Line Spacing</b>		1/6", 1/8", n/144"		1/6", n/72"	
<b>Print Head</b>	Dual 9 Pin		9 Pin		
<b>No. of Columns</b>		40 (max)		28/40	35
<b>Print Direction</b>			Bi-directional		
<b>Paper Specifications</b>					
<b>Width</b>	2.25", 3", 3.25"		2.25", 3", 3.25"/ 3", 3.25"	3", 3.5"/ 3.5"	3", 3.5"
<b>Thickness</b>			0.003"-0.004"		
<b>Roll Diameter</b>		3.35" (85mm)		N/A	N/A
<b>Copies</b>		1 ply: 0.05-0.08mm, original + 2: 0.2mm max.			
<b>Paper Sensors</b>			Paper out - mechanical switch		
<b>Ribbon</b>					
<b>Type</b>			Cassette		
<b>Life</b>			Purple: 6 million, Black: 1.6 million		
<b>Reliability</b>					
<b>Printer Head</b>			18 million MCBF (CRT) 200 million characters		
<b>Cutter</b>		SP347/SP342-600,000 cuts		N/A	
<b>Operating Conditions</b>					
<b>Temperature</b>		0°C-50°C		20°C-70°C	
<b>Humidity</b>		10%-90% RH		5%-95% RH	
<b>Power Supply</b>			Built-in 120V AC (60Hz)		
<b>Interface</b>			Serial RS232C, Parallel (IEEE1284), Options: RS422A, 20m A Current Loop		
<b>Data Buffer</b>	1K byte		4K bytes		
<b>Emulation</b>			Star Line mode		
<b>Options</b>	Rewinder - PW300		Rewinder - PW349	N/A	
<b>Cash Drawer</b>	2 drivers with compulsion sensor/N/A-UP389			2 drivers with compulsion sensor	
<b>Autocutter</b>	SP347/SP342-partial cut		partial cut/full cut	N/A	
<b>Drivers</b>	Win'95/'98/2000, NT 4.0, OPOS, JavaPOS™			N/A	
<b>Safety Standards</b>			UL, C-UL, TUV		
<b>Case Color</b>			Putty		

## DIMENSIONS

SP312 / 317



SP349



UP389

