

SP200 SERIES

Reliable Low End, Dot Matrix Printers

FEATURES

- ✧ Two color capability
- ✧ Recessed cables
- ✧ Small footprint
- ✧ Internal power supply
- ✧ Captive paper holders
- ✧ Metal tear bar

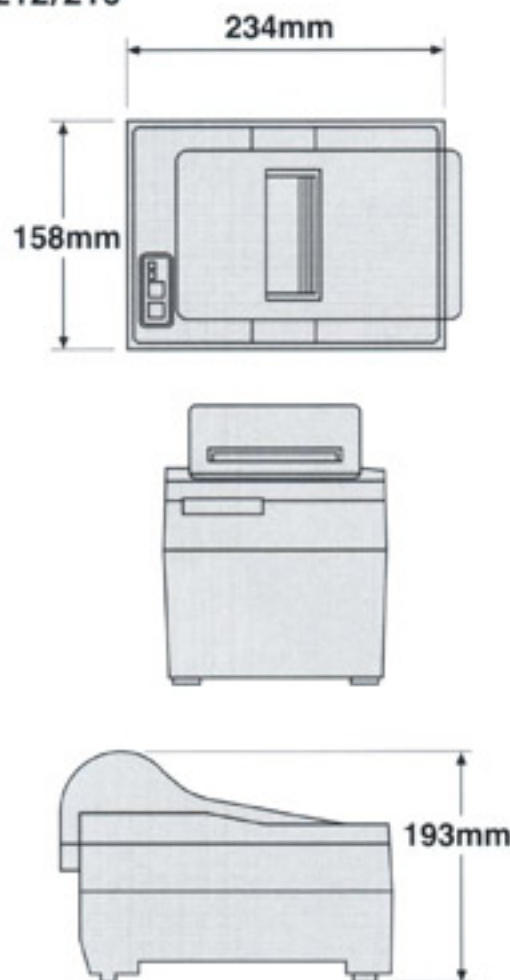
MODELS AVAILABLE

- SP212 - Single Color, Tear Bar Printer
- SP216 - Two Color, Tear Bar Printer
- SP242 - Single Color, Autocutter Printer
- SP246 - Two Color, Autocutter Printer
(Serial and parallel versions available)

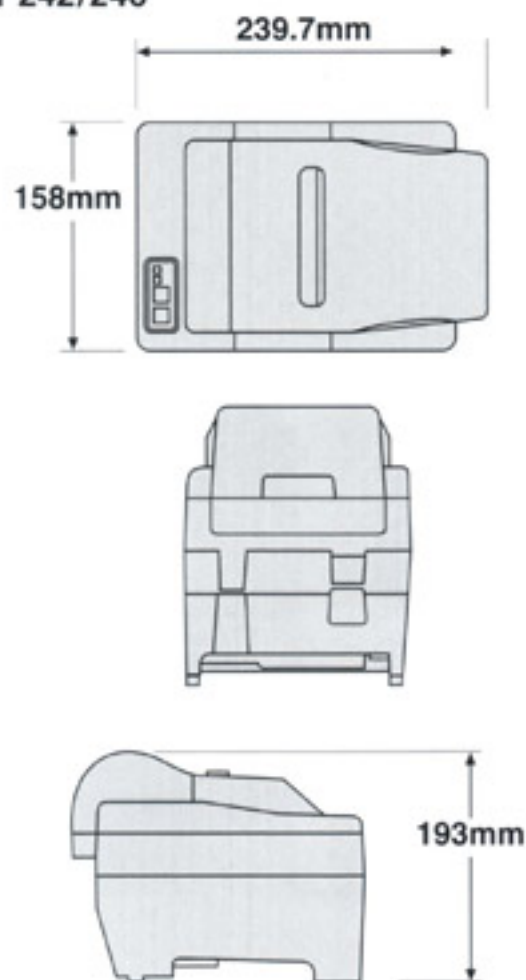


DIMENSIONS

SP212/216



SP242/246



SP200 DOT MATRIX PRINTER SPECIFICATIONS

Print Speed	2.5 LPS (10.1mm/sec)
Print Width	2.6" (66mm)
Line Spacing	1/6" (fixed)
Print Head	7 pin
No. of Columns	42/35
Print Direction	Bi-directional
Paper Specifications	
Width	3" (76mm)
Thickness	1 ply: 0.07-0.10mm Original + 2 copies: max. 0.2mm
Roll Diameter	3.35" (85mm)
Paper Roll Core	Internal: 12mm
Copies	Original + 2
Paper Sensors	Paper out
Ribbon	
Type	Cassette
Life (characters)	Purple: 3 million, black 1.2 million, 2 color (black/red): 0.6/0.3 million
Reliability	
Printer	9 million MCBF (CRT)
Head	75 million characters
Cutter	1.5 million cuts
Operating Conditions	
Temperature	0°C-50°C
Humidity	10%-80% RH
Power Supply	Built-in, 110V AC (50-60Hz)
Interface	Serial RS232C or Parallel (IEEE1284)
Data Buffer	1K byte
Emulation	Star mode
Options	Cover for use w/credit auth. terminals
Cash Drawer	1 driver
Autocutter	Full & partial cut
Drivers	Win '95/'98/2000, NT4.0, OPOS, JavaPOS™
Safety Standards	UL, CSA, C-UL, TUV
Case Color	Putty or charcoal