

## Controllers



### APPLICATIONS

- Automated Warehousing
- Work-in-progress Control
- Product Traceability and Quality Control

### ADVANTAGES

- Industrial controller designed for high speed data collection from up to 31 Datalogic Automation's 1D/2D code readers connected in an ID-NET™ network.
- Easy and simple network configuration thanks to Genius™ multi-language software tool via RS232 serial link or remote Ethernet connectivity.
- Availability of advanced software tools for monitoring and control of data collection network.
- Increased overall network reliability and minimized system downtime thanks to the embedded Backup and Restore memory unit.
- IP65 (NEMA 4) protection class and 0 to 50 °C (32 to 122 °F) operating temperature.

## HIGHLIGHTS

- Industrial controller for high speed data collection from up to 31 reading stations
- ID-NET™ interface for data collection network
- Open architecture allows comfortable connectivity to Ethernet TCP/IP, Profibus, DeviceNet, Ethernet/IP and other common networks.
- Complete network monitoring, statistics and diagnostics through WebSentinel™ software
- Multi-language Display and Keypad for easy network monitoring and diagnostics
- Embedded Backup and Restore feature to minimize plant downtime
- Visible Power, Communication and I/O indicators and convenient Power on/off switch
- Multi-language Genius™ SW tool allows rapid network configuration
- Flexible mounting and simplified wiring to speed up the installation.
- IP65 (NEMA 4) rated industrial design

## GENERAL DESCRIPTION

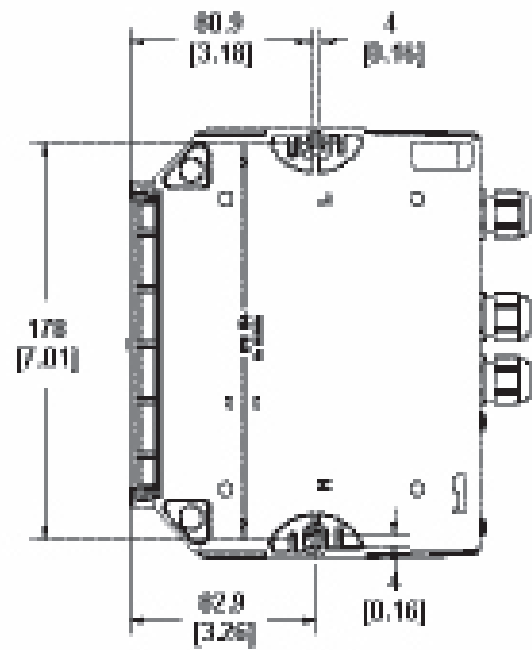
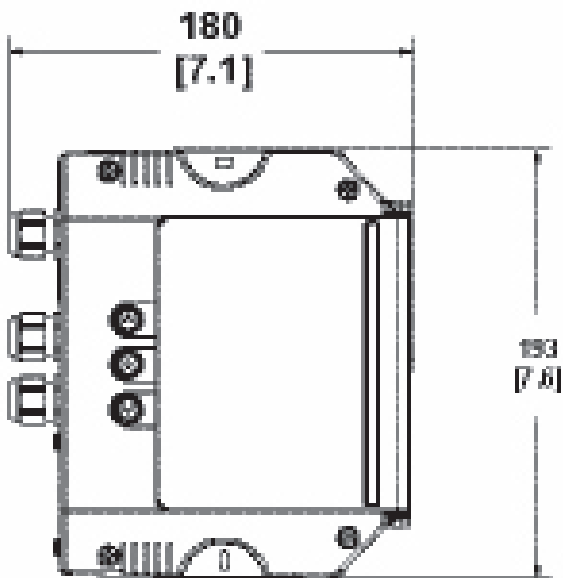
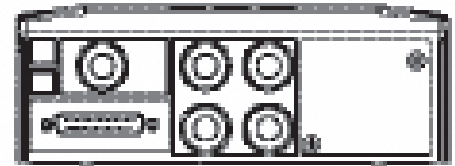
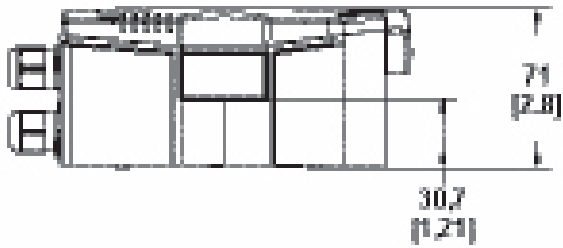
SC4000 is an industrial controller designed for high speed data collection in an ID-NET™ network of Datalogic Automation's 1D/2D code readers. SC4000 offers high communication performance and connectivity to the most common fieldbus systems by means of a complete range of optional modules.

Through SC4000, a multi-station reading system can be realized in a very simple way. SC4000 allows complete monitoring of the network status, immediately providing useful information about performance and malfunctioning to users as well as to Datalogic WebSentinel™, the new surveillance software solution for the total remote control and monitoring of the readers.

Basic diagnostic and statistic information is directly available on the backlit 4-lines display while intuitive LEDS provide indications about the status of the device as well as of the entire network. When quick and reliable replacement of any code reader in the network is needed, SC4000 takes advantage of the embedded Backup & Restore memory unit.

SC4000 features IP65 (NEMA 4) protection class and 0 to 50 °C (32 to 122 °F) operating temperature.

## DIMENSIONS



mm / inch

## MODELS AND ACCESSORIES

| MODELS    |                                   |
|-----------|-----------------------------------|
| Order No. | Description                       |
| 935201000 | SC4000-1000 ID-NET CONTROLLER STD |

| ACCESSORIES |                                   |
|-------------|-----------------------------------|
| Order No.   | Description                       |
| 93ACC1851   | BM200 ETHERNET TCP/IP MODULE      |
| 93ACC1852   | BM210 ETHERNET TCP/IP IP65 MODULE |
| 93ACC1810   | BM300 PROFIBUS MODULE             |
| 93ACC1811   | BM310 PROFIBUS IP65 MODULE        |
| 93ACC1814   | BM400 DEVICENET MODULE            |
| 93ACC1812   | BM500 ETHERNET/IP MODULE          |
| 93ACC1813   | BM510 ETHERNET/IP IP65 MODULE     |
| 93ACC1840   | BM520 ETHERNET/IP IP54 MODULE     |
| 93ACC1815   | BM600 CAN OPEN MODULE             |
| 93ACC1816   | BM700 PROFINET MODULE             |
| 93ACC1845   | BM1100 CC-LINK MODULE             |
| 93ACC1848   | BM1200 MODBUS TCP MODULE          |
| 93ACC1849   | BM1210 MODBUS TCP IP65 MODULE     |
| 93ACC1821   | BA100 DIN RAIL ADAPTERS           |
| 93ACC1822   | BA200 BOSCH ADAPTERS              |
| 93ACC1847   | BA900 TWO CABLE GLANDS PANEL      |

## TECHNICAL DATA

|                              |   |
|------------------------------|---|
| DIMENSIONS                   | 193 x 180 x 71 mm (7.60 x 7.09 x 2.79 in.)  |
| WEIGHT                       | 960 g. (33.86 oz.)  |
| POWER SUPPLY                 | 10 to 30 VDC  |
| POWER CONSUMPTION            | 5 W max   |
| OPERATING TEMPERATURE        | 0 to 50 °C (32 to 122 °F)   |
| STORAGE TEMPERATURE          | -20 to 70 °C (-4 to 158 °F)   |
| HUMIDITY                     | 90% non condensing  |
| PROTECTION CLASS             | IP65  |
| SHOCK RESISTANCE             | EN 60068-2-27 30G; 11ms; 3 shocks on each axis  |
| VIBRATION RESISTANCE         | EN 60068-2-6 1.5mm; 10 to 55 Hz; 2 hours on each axis   |
| DISPLAY & KEYPAD             | 20 x 4 characters & 3 keys  |
| DIAGNOSTIC LEDS              | Power On/Polarity Error, Trigger, IN2, OUT1, OUT2, Ready, Host Interface 1, Host Interface 2, ID-NET, OUT3  |
| COMMUNICATION INTERFACES     | Auxiliary: RS232 up to 115.2 Kbit/s<br>Host Interface 1: RS232/RS485 up to 115.2 Kbit/s<br>Host Interface 2: RS232/RS485 up to 115.2 Kbit/s<br>ID-NET™ port up to 1 Mbps<br>Optional Host Interface modules |
| COMMUNICATION PROTOCOL       | Datalogic Application Driver (DAD Driver)   |
| HANDSHAKING                  | Message fragmentation and flow control  |
| ADDRESS SETTING              | HW Switches, Genius™  |
| EXCHANGE MEMORY FOR I/O DATA | Up to 128 bytes   |
| DIGITAL INPUTS               | Two SW programmable, optocoupled and polarity insensitive   |
| DIGITAL OUTPUTS              | Three SW programmable optocoupled   |
| DEVICE PROGRAMMING           | Windows™ based SW (Genius™) via Serial or Ethernet link<br>Serial Host Mode Programming sequences   |
| COMPATIBLE DEVICES           | DS2100N, DS2400N, DS4800, MATRIX 200™, MATRIX 400™  |